



NCR875 megapixel network IR bullet camera

color network bullet camera with
MPEG-4 x 2 & Motion JPEG triple streaming,
ICR day/night switching



The NCR875 is a high-performance megapixel network camera. With a stylish look and megapixel resolution, the NCR875 is perfect for bank, retail-store, and office surveillance.

- **Exceptional Images**

NCR875 employs a 5MP Lumii sensor that quadruples sensitivity without blurring. The camera utilizes Lumii technology to monitor the surveillance area in great detail in even the most difficult lighting conditions, delivering crisp and detailed images that are perfect for object- and person-recognition. The camera's high resolution also enables it to provide larger overviews, increasing the size of the surveillance area without affecting image resolution.

- **Smartfocus**

A built-in nine-point focus indicator enables the camera to focus precisely and automatically on objects, relieving users of the need to adjust the focus manually.

- **Powerful IR Illuminator**

The powerful IR illuminator lights objects evenly, reducing image noise and storage requirements. The IR illuminator activates automatically when the lighting dims to under 10 lux. In night mode, the illuminator enables the camera to capture images at even 0 lux. To help minimize energy usage, the camera also comes equipped with a high-power LED.

- **ICR Day/Night Switching**

The NCR875 incorporates a mechanical ICR filter to capture perfect pictures at any light level. The camera switches between its day and night modes automatically depending on the lighting conditions, enabling it to capture color video in even 0.3-lux conditions and black/white video in as little as 0 lux, ensuring crisp, clear images at all times. The camera's megapixel resolution and mechanical ICR filter deliver sharp, detailed captures and images of distant objects in even total darkness.

- **Housing Certified to IP66 and IP67**

Certified to IP66 and IP67, the die-cast aluminum alloy housing protects the camera against heavy rain, making it perfect for outdoor surveillance.

- **Easy Installation**

The cable-management bracket enables easy installation in any location, including walls, surfaces, and ceilings. The camera's built-in user-friendly I/O connectors also help reduce installation time and maintenance costs.

2009.10.16 version.

MESSOA reserves the right to update this datasheet at any time without notice.

MESSOA USA e-mail:info.us@messo.com/MESSOA Taiwan e-mail:info@messo.com



Specification

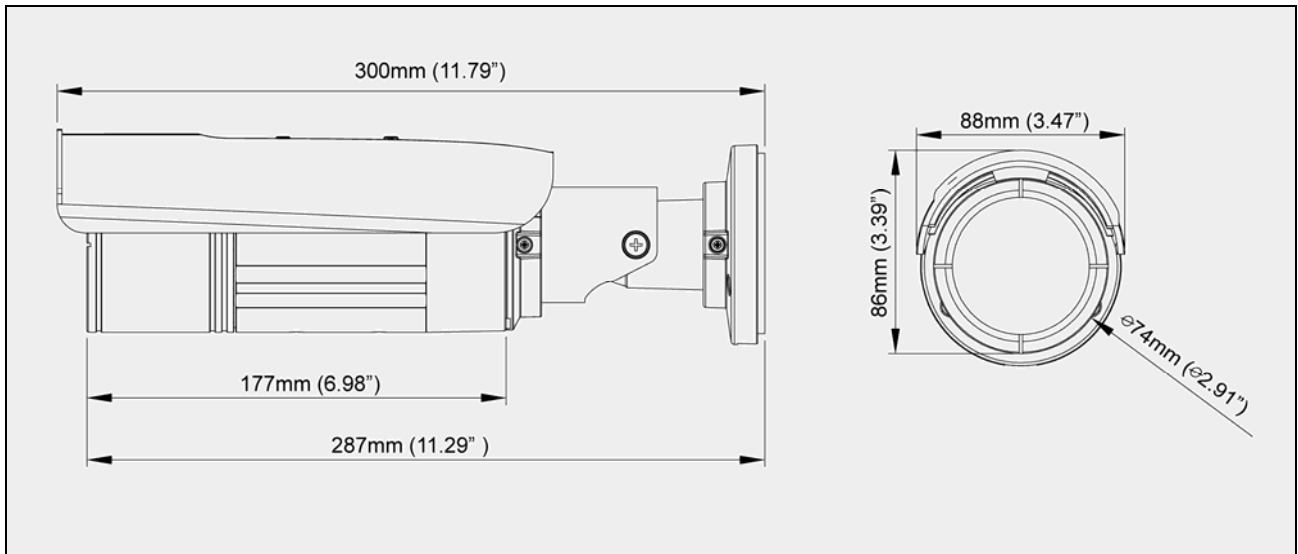
Image System	
Image sensor	1/2.5" 5 MP Lumii image sensor optimized for low-light performance
Effective pixels	2592 (H) X 1944 (V)
Image Compression Method	Triple Streaming : MPEG4 x2/ Motion JPEG x1
Resolution/ Frame rate	MPEG4: HD 720P 1280 X 720 @30fps, 640 X480@30fps, 352 X192@30fps MJPEG: 640 X 480@30fps, 640 X 352@30fps
Electric	
Sync system	Internal
Built-in lens	f=3.3 ~ 12 mm, F1.6, Varifocal Megapixel lens IR-corrected, Angle of view: 22° ~ 76° (Horizontal)
Shutter time	AES 1/10000 to 1/3.75 sec
Audio	Two-way Mono Audio, Full-duplex, G.711 PCM 8kHz 64kbit/s
Alarm	Yes; 1x Alarm-in, 1x Alarm-out
Motion detection	Yes; 4 x 3 MD window & 5 level sensitivity
Day & Night Mode	Mechanical ICR Filter
Minimum illumination	IR LED OFF: 0.3lux (F1.2, 50 IRE) IR LED ON: 0lux
IR LED	IR LED 24pcs(850nm)
IR distance	25 meters (82 ft.)
IR turn on status	Under 10 lux by auto control
LED life	More than 10,000 hours (50°C)
TV output	NTSC, 720 X 480 @30fps PAL, 720 X 576 @25fps
Feature	
BLC	ON/Off
White Balance	Auto/Daylight/Fluorescent/Incandescent
Sharpness	Low/ Middle/High
Saturation	Low/ Middle/High
Brightness	Low/ Middle/High
Contrast	Low/ Middle/High
Other	Mirror, Flip, system log, snapshot
Power supply	
Power requirement	DC12V/ AC24V/ PoE(IEEE 802.3af)
Power consumption	< 8W
Power connector	Screwless Terminal block
Environment	
Operating temperature	-10°C ~ 50°C (14°F ~ 122 °F)
Operating humidity	10~ 90% RH
Storage temperature	-20°C ~ 60°C (-4°F ~ 140 °F)
Network	
Ethernet	10Base-T/100Base-TX
Internet protocol	TCP/IP, UDP, HTTP, SMTP, DNS, DHCP, NTP, FTP, RTP, RTSP, ICMP, uPNP
Connectors	RJ-45 Ethernet 10Base-T/100Base-TX
Browser	IE browser 6.0 or above
I/O connector	
Video port	BNC X1, 1.0Vp-p, 75Ω
Alarm port	Terminal block
Audio port	3.5mm Phone Jack
Mechanism	
Dimensions(LxWxH)	300 x 88 x 86 mm (11.79" x 3.47" x 3.39")
Weight	0.995 kg (2.2 lb.)
Protection Class	IP66, IP67
Order Information	NCR875-HN5 NCR875-HP5

2009.10.16 version.

MESSOA reserves the right to update this datasheet at any time without notice.

MESSOA USA e-mail:info.us@messo.com/MESSOA Taiwan e-mail:info@messo.com

Dimensions



2009.10.16 version.

MESSOA reserves the right to update this datasheet at any time without notice.

MESSOA USA e-mail:info.us@messo.com//MESSOA Taiwan e-mail:info@messo.com